



TAMIL NADU MINERALS LIMITED,

31, KAMARAJAR SALAI,

CHEPAUK, CHENNAI - 600 005

PHONE No. 2986 2018 / 2851 1972

E-Mail: tamin@tamingranites.com

TAMIN invites e- tender for supply of tungsten carbide drill steel inserts for re-tipping the drill rods

TENDER No. 9540 /ST2 /2018

COST OF TENDER FORM Rs. 1,000/-

TAMIL NADU MINERALS LIMITED,
(An Undertaking of the Government of Tamil Nadu)
No.31, Kamarajar Salai, Chepauk, Chennai-600 005

Tender No.9540 / ST2 /2018

Date:09.02.2019

NOTICE INVITING e-TENDER

E-tenders are invited through the e-tendering portal by General Manager (Finance), Tamil Nadu Minerals Limited, 31, Kamarajar Salai, Chepauk, Chennai - 600 005 for supply of Tungsten Carbide Drill Steel Inserts For Re-Tipping The Drill Rods at Central Workshop, Salem.

The tendering process is online at e-portal URL, address <https://tntenders.gov.in>. Aspiring bidders may download and go through the tender document.

Prospective Tenderers are advised to get themselves registered at Tamil Nadu Tender portal, obtain 'login ID' & 'password' and go through the instructions available in the Home page after log in to the Tamil Nadu Tender Portal <https://tntenders.gov.in>. They should also obtain Digital Signature Certificate (DSC) in parallel which is essentially required for submission of their application.

CONDITIONS:

1. Manufacturers / Producers (or) their authorized dealers alone are qualified to participate in the tender. Any dealer other than those of a manufacturer (or) producer to supply goods, should furnish along with tender, a letter from the manufacturer (or) producer agreeing to supply the required quantity of goods to such dealer. The contract will be for a period of one year which may be extendable for a further period of 3 months as per Tender Transparency Act, at the same rate, terms and conditions, based on the performance.

2. Tender Submission:

- i. The tender should be submitted in 2 Cover System through online at Tamil Nadu Tender e-portal URL, address <https://tntenders.gov.in>
- ii. Original DD for EMD and Tender fee need to be submitted to Tamil Nadu Minerals Limited, Chennai, Tamil Nadu in a sealed envelope and should reach the General Manager (Finance), Tamil Nadu Minerals Limited, No.31, Kamarajar Salai, Chepauk, Chennai - 600 005 before the date & time mentioned

in **CRITICAL DATA SHEET** as per Annexure - IV. (In sealed envelope superscribing "E-TENDER FOR SUPPLY OF TUNGSTEN CARBIDE DRILL STEEL INSERTS FOR RE-TIPPING THE DRILL RODS" along with tender Id No. If original Demand Draft for EMD and Tender fee are not received by the time of the opening of Technical Bid (Cover I) then the tender will be summarily rejected. Any postal/other delay will not be entertained. Tenderers are requested to upload the digitally signed tender documents along with the scanned copy of Demand Draft for Tender Fee and EMD. Bid Documents may be scanned with 100dpi with black and white option which helps in reducing size of the scanned document.

- iii. Five numbers of Tungsten carbide drill steel inserts of each size should be submitted to Tamil Nadu Minerals Limited, Chennai, Tamil Nadu along with original DD for EMD in a sealed envelope and should reach the General Manager (Finance), Tamil Nadu Minerals Limited, No.31, Kamarajar Salai, Chepauk, Chennai - 600 005 before the date & time mentioned in **CRITICAL DATA SHEET** as per Annexure - IV. (In sealed envelope superscribing "E-TENDER FOR SUPPLY OF TUNGSTEN CARBIDE DRILL STEEL INSERTS FOR RE-TIPPING THE DRILL RODS " along with tender Id No.
- iv. The tender should be submitted in two cover system viz.

A. Cover-I: Technical Bid: It shall contain

- a. E.M.D. of Rs.42480/- (Rupees Forty Two Thousand four hundred and Eighty Only)[EMD Rs.36000 + GST 18% on EMD Rs.6480] should be paid by Demand Draft drawn on any Scheduled Banks in favour of "Tamil Nadu Minerals Limited" payable at Chennai.
- b. Tender document is to be downloaded through e-tendering portal, it should be accompanied by a Demand Draft of Rs.1000/- (Rupees One thousand only) (Non-refundable) towards the cost of tender document drawn on any Scheduled Banks in favour of "Tamil Nadu Minerals Limited," payable at Chennai.
- c. Annexure I - Declaration Form duly signed in the prescribed format
- d. Annexure II - Background of the tenderer
- e. Annexure III - Specification of the Tungsten Carbide Drill Steel Inserts
- f. Scanned copy of Demand Draft of tender form fee and EMD.
- g. Valid Documents for Proof as a Manufacturer / Authorized Dealer / Distributor.
- h. In case of SSI /NSI, Copy of SSI /NSI Certificate with current validity.

- i. Copy of certificate of Registration of incorporation/proof of Constitution of company, PAN Card and GST registration certificate
 - j. Any dealer or supplier other than those of a manufacturer or producer to supply goods should furnish along with tender, a letter from the manufacturer or producer agreeing to supply the required quantity of goods to such dealer.
 - k. Copies of purchase order of major clients
 - l. Confirmation that sample inserts as stated in 2(iii) is submitted.
- The intimation regarding acceptance/rejection of bid will be intimated to the tenderers through e-tendering portal.

B. Cover II: Price Bid -

- a. All rates shall be quoted in the format provided and no other format is acceptable. If the price bid has been given as a standard BOQ format with the tender document, then the same is to be downloaded and to be filled by all the bidders. Bidders are required to download the BOQ file, open it and complete the unprotected cells with their respective financial quotes and other details (such as name of the bidder). No other cells should be changed. Once the details have been completed, the bidder should save it and submit it online, without changing the file name. If the BOQ file is found to be modified by the bidder, the bid will be rejected.
- b. (i) This Cover-II will be opened only if the tenderer is qualified to execute the Tender as per Cover - I (Technical Bid).

(ii) **If the tenderer fails to comply with the above conditions, their offers will be totally rejected.**
- v. The original Demand draft / any other accepted instruments, physically sent, should tally with the details available in the scanned copy and the data entered during bid submission time.
- vi. If any clarification is needed from the bidder about the deficiency in his uploaded documents in Cover - I, he will be asked to provide it through Tamil Nadu Tender portal. The bidder shall upload the requisite clarification/ documents within the time specified failing which tender will be liable for rejection.
- vii. Uploading of application in the location other than specified above shall not be considered. Hard copy of application shall not be entertained.

- viii. Offers from ready stock or for delivery within a very short period (or) as per the Tender Schedule will be preferred.
- ix. The prices for the items tendered should be in rupees and paise and should specifically indicate all duties, taxes, insurance and transport cost for **delivery to the address given below:-**
The Deputy Manager (Mech)
TAMIL NADU MINERALS LIMITED
Central Workshop,
Foulkes Compound, Anaimeedu,
Salem - 636 001.
Phone No. 0427-2295505 , 2295506

3. Tender Opening:

The tenders will be opened through online at the Registered Office of the Corporation by the authorised Committee by the tender accepting authority, if any as noted below:

The Cover-I: Containing Documents listed in 2(iv)A will be opened at **3.00 P.M. on 27.02.2019.**

The Cover-II: The date and time of opening of Cover II (Price Bid) will be communicated later to the tenderers through e-tendering portal. For further details please refer clause 2(iv)B.

4. Tender should be signed digitally by the tenderer himself. In the event of the tender being submitted by a joint Hindu Family concern or by a firm, it should be signed by any member or partner thereof and should be accompanied by a letter signed by all the members or the partners approving of the tender. In the case of Limited Companies, it should be signed by the Managing Director or other Director authorized to sign contracts.

5. Every tender must be accompanied by a deposit as Earnest Money Deposit as mentioned in clause 2 (ii), (iv)A by Demand Draft on a scheduled bank payable in favour of the Managing Director, Tamil Nadu Minerals Limited, Chennai-5. The Earnest Money Deposit of unsuccessful tenderers will be arranged to be refunded within a reasonable time and will bear no interest thereon. Tenders without earnest money deposit will be rejected at the outset.

6. The successful tenderer will be required to remit Security deposit equivalent to 5% of the value of the Tender accepted within 30 days from the date of receipt of communication intimating the acceptance of the

tender. The sum deposited as Earnest Money Deposit as required in clause 5 above may be adjusted against this deposit and the balance alone shall be payable in the form of Demand drafts on any Nationalized or Scheduled Banks at Chennai.

7. The Security Deposit amount will be refunded within a reasonable time after the contract is completed satisfactorily. But no interest is payable either on the Earnest Money Deposit or on the Security Deposit furnished by the tenderers.

8. If the tenderer fails to act up on to the tender or back out after his tender is accepted, the Security deposit mentioned above will be forfeited to the Tamil Nadu Minerals Limited.

9. If the tenderer fails to complete the order within the stipulated time, the EMD will be forfeited to TAMIN.

10. Any offer of the total purchase value exceeds Rs. 10.00 lakhs which is accepted by Tamil Nadu Minerals Limited will constitute a contract between the parties, **the successful tenderer will be required to execute an agreement** in the prescribed form, embodying the terms and conditions for the execution of the tender within 30 days from the date of receipt of intimation of acceptance of the tender. The agreement should be executed in the Non-judicial stamp paper valued not less than Rs. 50/- purchased within Tamilnadu state.

11. The rates quoted by the tenderer should be kept open for the acceptance by the Company for a period of not less than Ninety (90) days from the date of opening of the tender. The rates quoted should be firm and should not be subject to any revision.

12. Liquidated Damages will be levied at the rate of 1% of the value for every one month delay beyond the delivery schedule period, subject to maximum of 6%

13. **All the tenders (Price Bid) should be submitted in the prescribed form and prescribed mode only as per BOQ Format (Cover II) (Excel downloaded from e-tender portal. The status of the tenderers should also be furnished in the Proforma available in Annexure-II (Cover I) in the prescribed mode.**

14. The samples will be tested at our mines. If the performance has /failed based on TAMIN field reports, the tenderers will not be qualified to participate in the opening of the Price Bid.

15. Tenders will be evaluated based on

- i) Promptness in delivery / replacement.
- ii) Original manufacturer.
- iii) Preference will be given to proven material

- iv) The evaluation of the offers will be done and the lowest offer is assessed apart from other factors indicated in the eligibility criteria laid down in the Tender document based on comparison of the arithmetic mean of the different rates quoted for each size of Tungsten Carbide Steel inserts.
- v) the conformity to the technical specification and service backup of the tenderer in addition to the price.

16. The Managing Director of the Company reserves the right to reject all or any of the tenders without assigning any reason and or to split up the tenders as may be deemed fit.

17. Award of contract will be made at sole and absolute discretion of the Tamil Nadu Minerals Limited which shall be final. No correspondence will be entertained with the unsuccessful tenderers.

18. a) The Tenderers shall undertake to replace the supplied materials or any portion thereof which has been lost/damaged, while in transit due to faulty or improper packing or failure to obtain sufficient proof from the Railways/transport operators for having entrusted correct quantity ordered and dispatched by the tenderers which may ultimately result in non-delivery or short delivery and consequent non-recovery of shortage from the concerned transport operators. The Tenderers should also furnish a test certificate to the quality for each consignment and agree to replace the material which for any portion thereof may be found to be not useful for the purpose for which it was purchased, either due to defective manufacture or otherwise. Delivery of the full replacement of material should be effected free of cost at Company's unit in Salem

19. The price should be valid for a period of one year (i.e) for completion of the quantity ordered. No escalation of price will be allowed. The price shall also be kept valid for a period of six months beyond the above one year period. The consignment will be made as and when required by Central Workshop in staggered manner as per the requirement.

20. Payment will be made by TAMIN, CWS, Salem through RTGS after the receipt of Drill Steel inserts in good condition by TAMIN, CWS, Salem.

21. The tenderers must state while sending their tenders that they understood and accept the above said all conditions and without signifying such acceptance, the tender may not be considered.

22. All disputes (or) differences and whatsoever arising between the parties to this document out of or relating to the construction, meaning and operation or effect of this contract or the breach thereby, shall be settled by arbitration in accordance with the Arbitration and Conciliation Act, 1996 and the award made in pursuance thereof shall be binding on the parties. The venue for holding the Arbitration is at Chennai only and the language in the Arbitration will be in English.

23. The court situated within Chennai alone shall have jurisdiction to decide all disputes and claims that may arise between parties.

24. Intending tenderers are advised to visit the TAMIN website: www.taminggranites.com and <https://tntenders.gov.in> regularly till closing date of submission of tender for any corrigendum / addendum / amendment.

GENERAL MANAGER (FINANCE)

For any technical assistance with regard to e- tendering the bidders may contact the following person on all working days

The Deputy Manager (Computers)

Tamil Nadu Minerals Limited Phone No: 044-28550676

Chennai - 600 005 E-mail ID: stubert@taminggranites.com

ANNEXURE - I

DECLARATION FORM

(Tender Notice No.9540 / ST2 /2018 Dated:09.02.2019)

(THIS FORM SHOULD BE RETURNED DULY SIGNED ALONG WITH THE TENDER EVEN IF QUOTATIONS ARE FURNISHED SEPARATELY FOR THE SAKE OF CONVENIENCE.)

1. I/we have gone through the tender notice and all the instructions to the tenderer and agree to abide by all the conditions and terms mentioned therein.
2. We hereby quote to supply the material specified in the enclosed schedule in the manner in which and within the time specified as set-forth in the terms of agreement attached, at the rates given in the schedule. The quotations furnished in the schedule are subject to the conditions set-forth in the tender form received by me/us.
3. I/We hereby forward Rupees.....only as Earnest Money Deposit and agree to have it forfeited to TAMIL NADU MINERALS LIMITED in case of my/our failure to undertake the contract for the items accepted by the MANAGING DIRECTOR, TAMIL NADU MINERALS LIMITED, 31, KAMARAJAR SALAI, CHEPAUK, CHENNAI-5.
3. I/We hereby certify that the rate tendered by me/us, is to the best of my/our knowledge and belief, not more than the rate which is permissible for me/us to charge on a private purchaser for the same items and description of goods under the provisions of any law in force.
4. I/We hereby certify that our firm has not been banned by the Government on account of unfair business dealings with any Government Departments and Government undertaking.

**SIGNATURE OF THE TENDERER.
WITH SEAL**

ANNEXURE - II
(Tender No. 9540 / ST2 /2018 Dated:09.02.2019)
BACKGROUND OF THE TENDERER

1.	Name and address of the firm/company (with full postal address) Telephone Fax Cell No: Contact Person:	:	
2.	Status of the firm : Proprietorship Partnership Company	:	
3.	I.T permanent account No	:	
4.	Are you manufacturer or authorized dealer/Supplier of dealer / Supplier, a letter from Original manufacturer has to be enclosed. Proof of document for manufacturer / dealer is to be enclosed.	:	
6.	Financial status of company , Audited accounts statements for preceeding 3 years to be enclosed	:	
7.	No. of years of experience in the manufacture and supply of above such items in India: (Proof of experience to be provided)	:	
9.	Samples enclosed	:	
10.	Any other relevant particulars	:	

I / We hereby declare that the particulars furnished above are correct and we are ready to furnish any other detail as may be required by TAMIN

SIGNATURE OF THE TENDERER
WITH OFFICE SEAL

ANNEXURE - III
(Tender No.9540/ ST2/2018 Dated:09.02.2019)

DETAILS OF SPECIFICATION OF TUNGSTEN CARBIDE DRILL STEEL INSERTS

Sl.No.	Name of the Material	Specifications of the required material
1.	Tungsten Carbide drill steel inserts	<p>1. Chemical Composition for Tungsten Carbide (Cemented Carbide)</p> <p>a) Grade : RD 35</p> <p>b) Tungsten Carbide(WC) : Not less than 92%</p> <p>c) Cobalt : Not less than 8%</p> <p>2. Physical Properties:</p> <p>a) Hardness : 85 - 88 (HRA)</p> <p>b) Density : 14 -15 (g/cm³)</p> <p>c) TRS - Traverse rupture strength : 1900 (N / mm²)</p> <p>d) Appearance : Grey - Black Solid</p> <p>3. Dimension & Diagram - Separate Sheet enclosed along with tender documents.</p>
2.	Samples	Samples of 5 Numbers for each size should be enclosed along with DD. The samples should be tested at our site and based on performance of the samples tender will be evaluated.

Requirement of Tungsten Carbide Drill Steel Inserts for re tipping the drill rods

<u>Sl.No.</u>	<u>Size</u>	<u>Total quantity required in Nos.</u>
<u>1</u>	17mm x 10mm x 34 mm	9250
<u>2</u>	17mm x 10mm x 33mm	3275
<u>3</u>	17mm x 10mm x 32 mm	745
<u>4</u>	17mm x 10mm x 30 mm	250
	Total	13520

**Annexure - IV
CRITICAL DATA SHEET**

Publishing Date	11.02.2019
Bid Document Download/Sale Start Date	11.02.2019 from 15.00 hrs
Bid Submission Start Date	11.02.2019 from 15.30 hrs
Bid Submission End Date	26.02.2019 up to 15.30 hrs
Last date and time of submission of original Demand Draft for tender fee, EMD, other documents and samples	27.02.2019 up to 14.00 hrs
Bid Opening Date (Cover - I)	27.02.2019 at 15.00 hrs
Bid Opening Date (Cover - II)	Will be intimated later on through Tamil Nadu e-Tender portal
Tender Fee	Rs. 1,000/- (Non refundable)
EMD	Rs.42,480/-[EMD 36,000 + GST 6480]

GENERAL MANAGER (FINANCE)

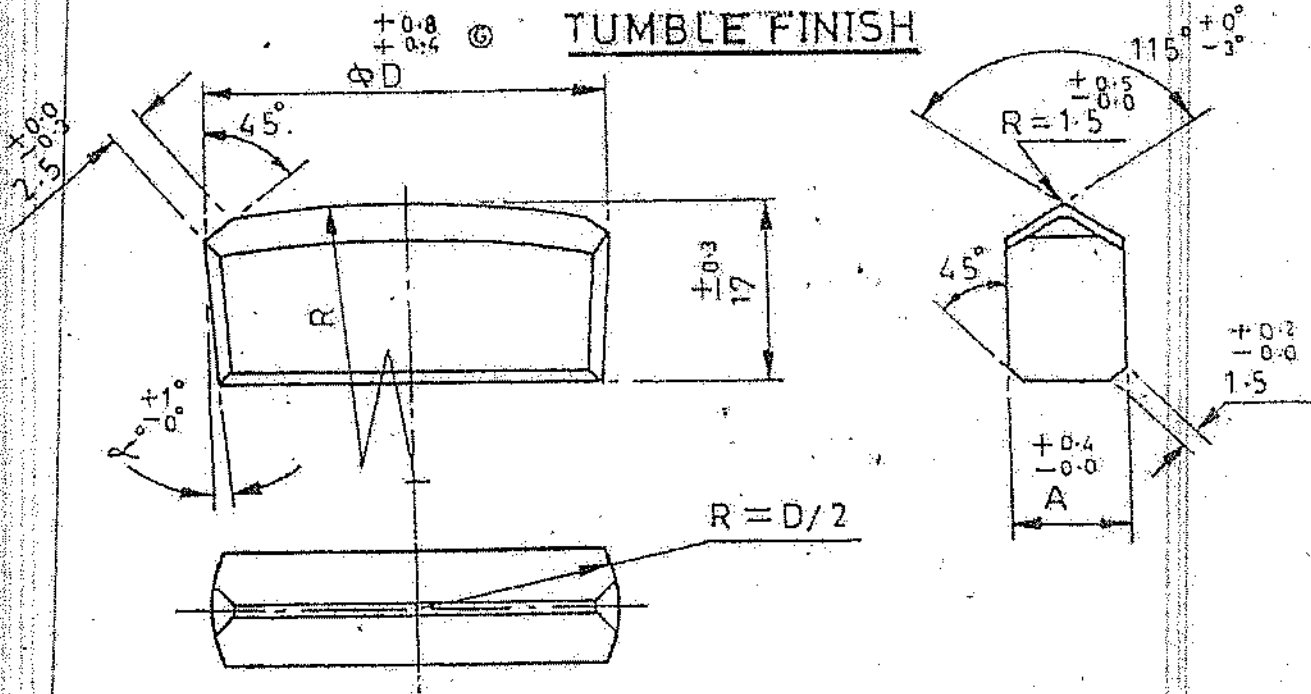
TAMIN, CENTRAL WORKSHOP, SALEM-1

RC. No. 151/S3/2012

DATED: 17.12.2018

Tungsten Carbide Mining Drill Steel Inserts

PRODUCT DRAWING



All DIMENSION IN MM

Sl.No.	Type	Ø D	Co	A	R
1.	R 20-10/30mm	30	3	9.6	105
2.	R 20-10/32mm	32	4	9.6	105
3.	R 20-10/33mm	33	4	9.7	105
4.	R 20-10/34mm	34	4	9.8	105

TOLERANCE IF NOT SPECIFIED

EXTERNAL DIM+ INTERNAL DIM -

ANGLES + 1°

TOL	0.3	0.4	0.6	1.0	2.0	3%	± 0.3	+ 0.1	± 0.06
DIM	<6	6-12	12-25	25-50	50-100	>100	15	15.0	15.00
TUNGSTIEN CARBIDE BLANKS							OTHER MATERIALS		